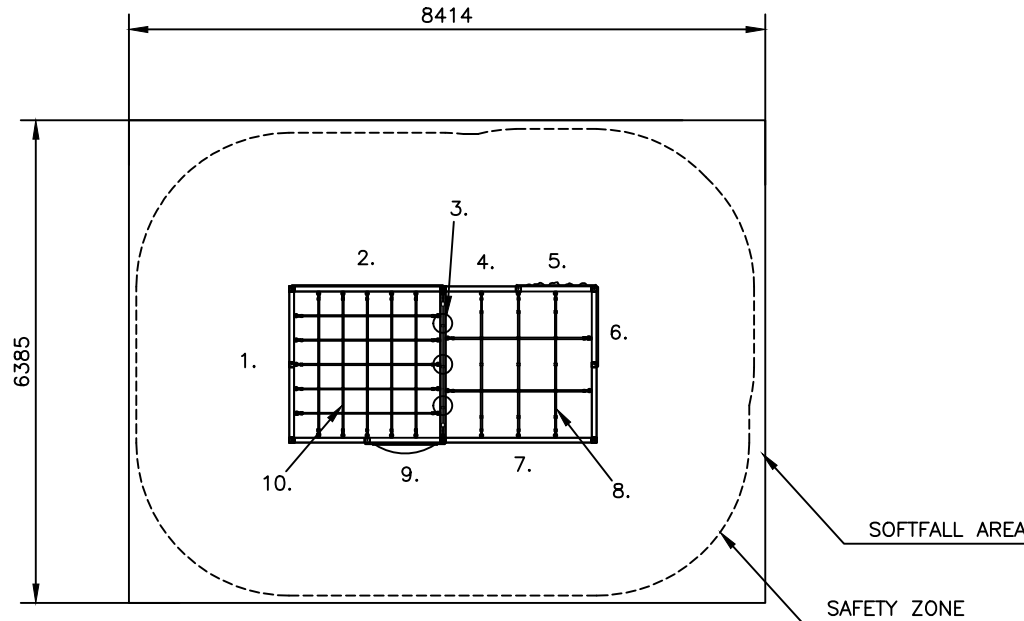
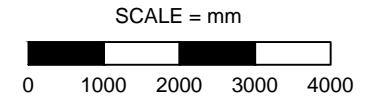


DO NOT SCALE

1. DOUBLE AB VERTICAL RAINBOW CHALLENGE
2. AB SQUARE SPIDER NET
3. AB POMMEL WALK
4. AB ROPE LADDER
5. AB ROCKWALL 2000
6. AB SWISS CLIMBER 2000
7. AB ROPE KNOT CLIMB
8. AB LOOP ROPE ASSEMBLY
9. AB HOLE & BUBBLE PANEL
10. AB OVERHEAD SQUARE NET



AB-109  
MAX FHF: 2115mm



APPROX AREA (sq.m.): 53.7 APPROX PERIMETER (lin.m.): 29.6

AB-109  
ACTIVITY BOX  
STANDARD DRAWING

DRAWING No.: 109

REV: A

DRN: K. NICHOLSON  
DATE: 11/10/16

SCALE 1:100  
SHEET 1 OF 1

SIZE  
A4

- Heights above Playground surface are shown on decks and all play equipment, is. Ⓢ = 40mm
- Impact absorbing ground cover is required under and around all play equipment.
- The min. recommended fall zone around the entire play structure is shown. This zone is to be free of all tripping or collision hazards (i.e. roots, rocks, border material, etc).
- Site layout and dimensions are subject to verification prior to installation.
- Dimensions in millimetres unless stated otherwise.

