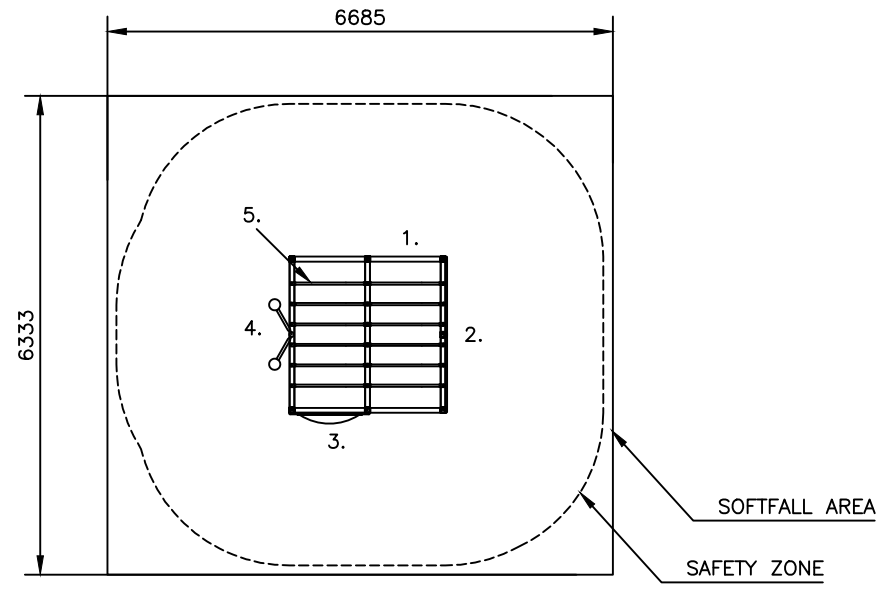
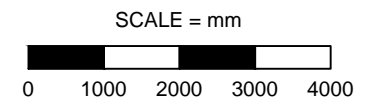


1. AB ROPE LADDER
2. DOUBLE AB VERTICAL RAINBOW CHALLENGE
3. AB HOLE & BUBBLE PANEL
4. AB BALL CLIMBER
5. DOUBLE AB HORIZONTAL RAINBOW CHALLENGE



AB-102  
MAX FHF: 2115mm

DO NOT SCALE



APPROX AREA (sq.m.): 42.3 APPROX PERIMETER (lin.m.): 26.0

AB-102  
ACTIVITY BOX  
STANDARD DRAWING

DRAWING No.:102		REV: A
DRN:K.NICHOLSON	SCALE 1:100	SIZE
DATE: 11/10/16	SHEET 1 OF 1	A4

- Heights above Playground surface are shown on decks and all play equipment, is. Ⓢ = 40mm
- Impact absorbing ground cover is required under and around all play equipment.
- The min. recommended fall zone around the entire play structure is shown. This zone is to be free of all tripping or collision hazards (ie. roots, rocks, border material, etc).
- Site layout and dimensions are subject to verification prior to installation.
- Dimensions in millimetres unless stated otherwise.

