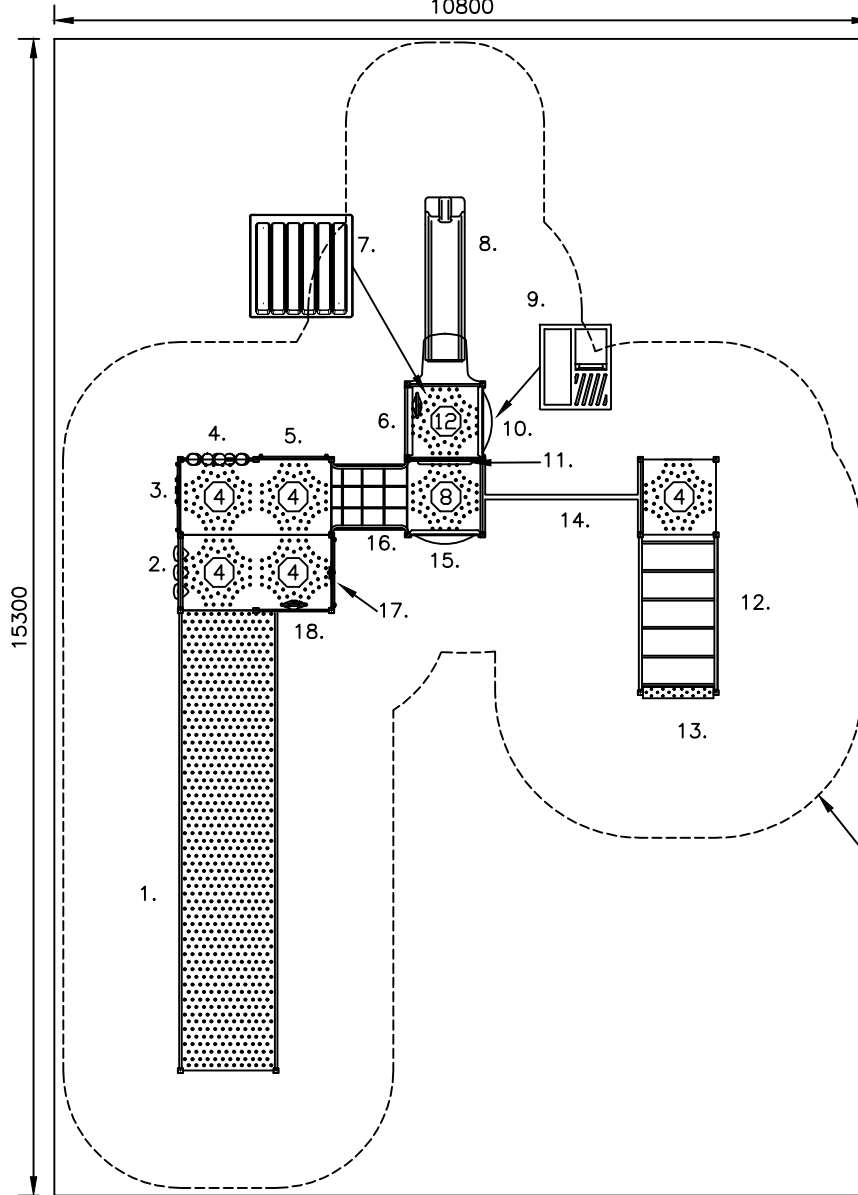


THIS DRAWING IS INDICATIVE ONLY
10800



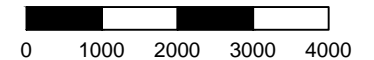
1. ACCESS RAMP
2. NOUGHTS & CROSSES PANEL
3. ROCKET PANEL
4. ABACUS PANEL
5. MAZE PANEL
6. PLASTIC OBLIQUE PANEL & WHEEL
7. ARC ROOF
8. HOODED CATERPILLAR SLIDE 1200
9. SHOP FRONT PANEL (UNDER)
10. BUBBLE PANEL
11. STEP PANEL & LOOPS
12. CHALLENGE LADDER
13. STEP END DECK
14. INCLINED ROPE SCRAMBLE DK-DK 400
15. BUBBLE PANEL
16. CARGO NET CLIMBER DK-DK 400
17. CLOCK PANEL
18. HALF SAFETY RAIL PANEL W/ WHEEL

SAFETY ZONE

SOFT FALL AREA

602 - KIRSTY
MAX FHF: 2.2m

SCALE = mm



APPROX AREA (sq.m.): 165.2 APPROX PERIMETER (lin.m.): 52.2

602 - KIRSTY
EXTREME UNIT
STANDARD DRAWING

DRAWING No.: 602

REV: B

DRN: R. CROOKE
DATE: 29/03/18

SCALE 1:100
SHEET 1 OF 1

SIZE
A4

- Heights above Playground surface are shown on decks and all play equipment, is. Ⓢ = 400mm
- Impact absorbing ground cover is required under and around all play equipment.
- The min. recommended fall zone around the entire play structure is shown. This zone is to be free of all tripping or collision hazards (i.e. roots, rocks, border material, etc).
- Site layout and dimensions are subject to verification prior to installation.
- Dimensions in millimetres unless stated otherwise.

