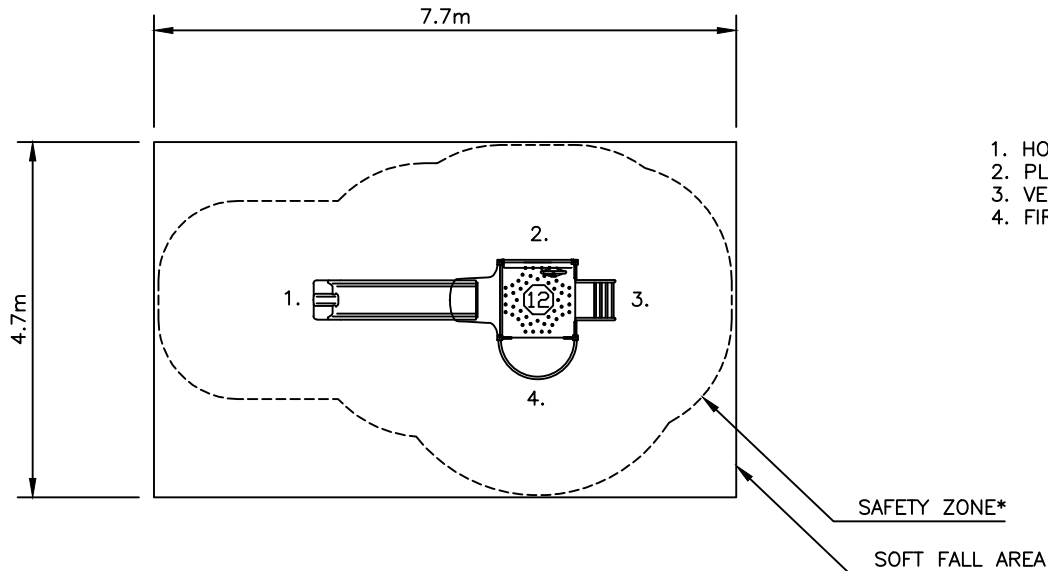
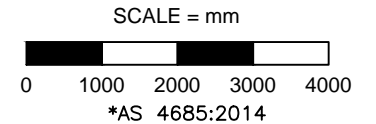


DO NOT SCALE



- 1. HOODED CATERPILLAR SLIDE 1200
- 2. PLASTIC OBLIQUE PANEL & WHEEL
- 3. VERTICAL LADDER 1200
- 4. FIREPOLE 1200

526-ELLA  
MAX FHF: 1.2M



APPROX AREA (sq.m.): 36.2 APPROX PERIMETER (lin.m.): 24.8

526 - ELLA  
EXTREME UNIT  
STANDARD DRAWING

DRAWING No.: 526

REV: A

DRN: A. DYSON  
DATE: 31/07/14

SCALE 1:100  
SHEET 1 OF 1

SIZE  
A4

- Heights above Playground surface are shown on decks and all play equipment, is. Ⓢ = 40mm
- Impact absorbing ground cover is required under and around all play equipment.
- The min. recommended fall zone around the entire play structure is shown. This zone is to be free of all tripping or collision hazards (ie. roots, rocks, border material, etc).
- Site layout and dimensions are subject to verification prior to installation.
- Dimensions in millimetres unless stated otherwise.

